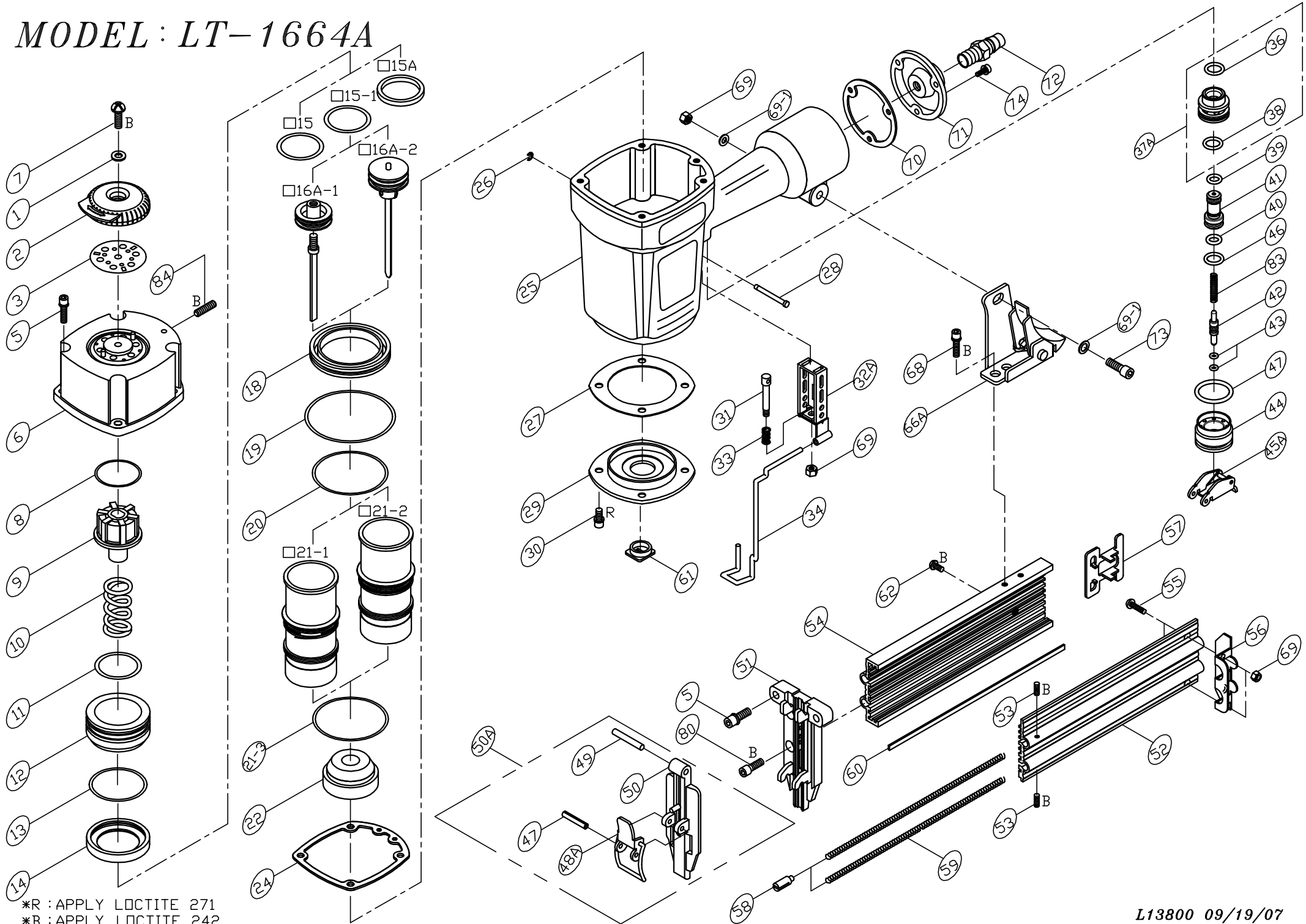


MODEL : LT-1664A



*R : APPLY LOCTITE 271
 *B : APPLY LOCTITE 242

PARTS LIST (LT-1664A)

*WHEN ORDERING SPARE PARTS, PLEASE STATE ITEM No, PART NO. AND DESCRIPTION.

ITEM	PART NO	DESCRIPTION	QTY	ITEM	PART NO	DESCRIPTION	QTY	ITEM	PART NO	DESCRIPTION	QTY
01	FW060130B-10	FLAT WASHER	1	33	12102801	SPRING	1	71	15107101	END CAP	1
02	15100201	EXHAUST COVER	1	34	13603401	SAFETY LEVER	1	72	12106401	AIR PLUG	1
03	15100301	SPRING PLATE	1	36	OR14018N	O-RING	1	73	HS05080B-20	HEX. SOC. HD. BOLT	1
05	HS05080BW-20	HEX. SOC. HD. BOLT+SW	6	37A	15103701A	VALVE ASM.	1	74	HS05080BW-16	HEX. SOC. HD. BOLT+SW	3
06	13600601	CAP	1	38	OR17515N	O RING**	1	80	HS05080B-12	HEX. SOC. HD. BOLT	2
07	US06100B-16	UM. HD. BOLT	1	39	OR05819N	O RING**	1	81	OR08819N	O RING**	1
08	13600801	SPACER	1	40	OR06020N	O RING**	1	82	OR19824N	O RING**	1
09	13600901	PISTON STOPPER**	1	41	15104101	VALVE PLUNGER	1	83	15108301	SPRING	1
10	13601001	SPRING**	1	42	15104201	PLUNGER	1	84	SS05080B-06	SET SCREW	1
11	OR33720N	O RING**	1	43	OR02515V	O RING**	2				
12	13601201	PISTON HEAD VALVE	1	44	15104401	PLUNGER CAP	1				
13	OR47020N	O RING**	2	45A	15104501A	TRIGGER ASSEMBLY	1				
14	13601401	SEAL	1	47	RP3020S	ROLLED PIN	1				
15	OR33735N	O RING**	1	48A	13104101A	LATCH**	1				
15-1	OR33037V	O RING**	1	49	BP0422P	BALL PIN	1				
15A	13601501A	OIL-LESS RING ASM.**	1	50	13605001	DRIVER GUIDE COVER	1				
16A-1	13601601A	PISTON ASSEMBLY**	1	50A	13605001A	DRIVER GUIDE COVER ASM.	1				
16A-2	13601602A	PISTON ASSEMBLY**	1	51	17305101	NOSE	1				
18	13601801	CYLINDER SPACER	1	52	13805201	MAGAZINE COVER	1				
19	OR53726N	O RING**	1	53	SS04070B-12	SET SCREW	2				
20	OR43026N	O RING**	1	54	13805401	MAGAZINE	1				
21-1	13602101	CYLINDER	1	55	US05080B-10	UM. HD. BOLT	2				
21-2	13602101G	CYLINDER	1	56	15105601	TAIL COVER	1				
21-3	OR43735N	O RING**	1	57	13805701	PUSHER	1				
22	13602201	BUMPER**	1	58	15105801	SLIDE BLOCK	2				
24	13602401	GASKET**	1	59	12105401	SPRING**	2				
25	13602501	BODY	1	60	13606001	NAIL GUIDE LINER	1				
26	ER0250R	E RING	2	61	13702501	JOINT GUIDE	1				
27	13602701	GASKET**	1	62	US05080B-06	UM. HD. BOLT	1				
28	12103201	STEPPED PIN	2	66A	12106101A	BRACKET ASSEMBLY	1				
29	14002902	BOTTOM	1	68	HS04070BW-08	HEX. SOC. HD. BOLT+SW	2				
30	HS06100BW-20	HEX. SOC. HD. BOLT+SW	4	69	LN0500N	LOCK NUT	4				
31	13803101	SPRING GUIDE	1	69-1	FW050130B-08	FLAT WASHER	2				
32A	13603201A	GUIDE SAFETY LEVER ASM	1	70	15107001	GASKET	1				